

**Instruction Manual**

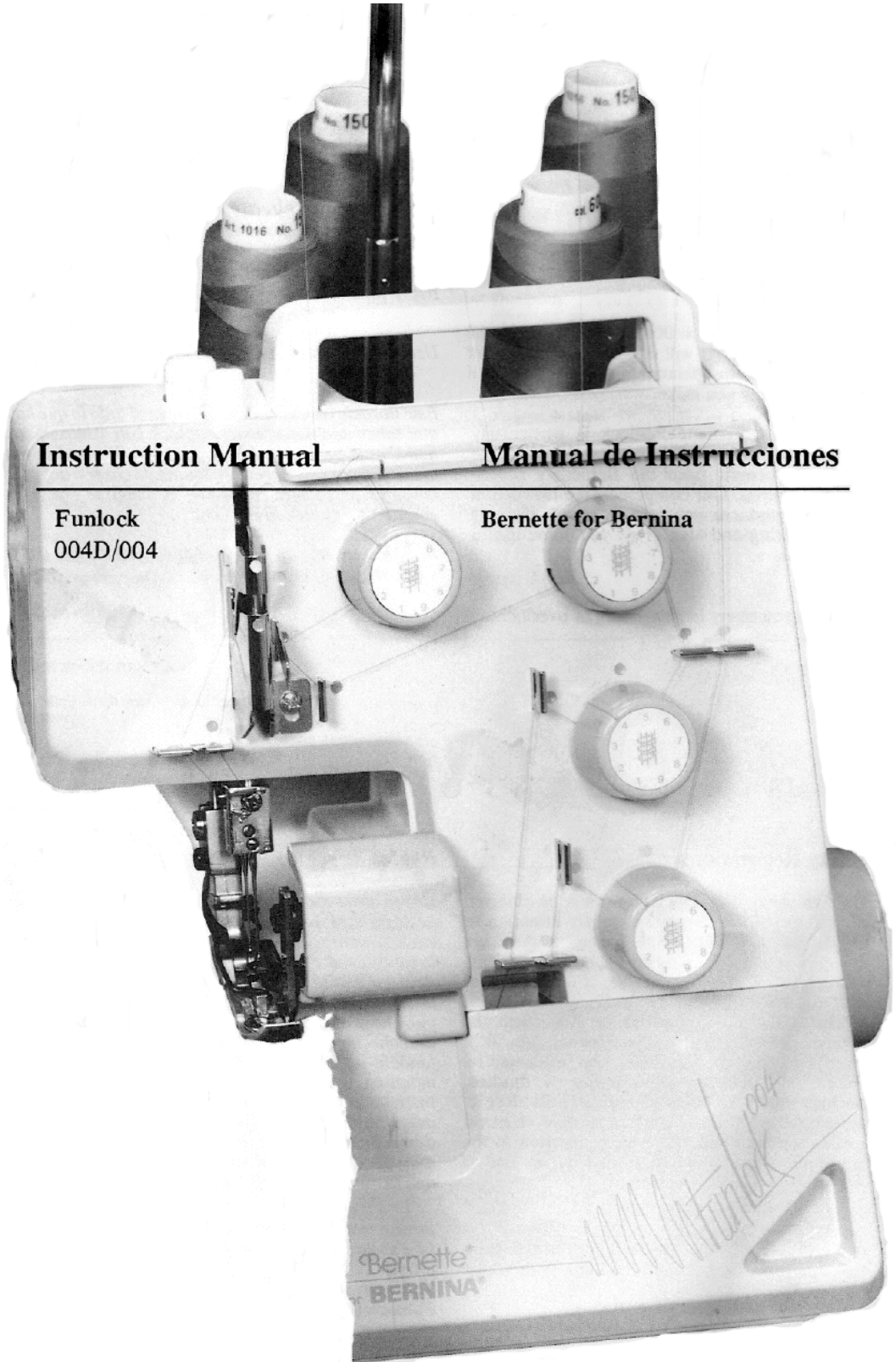
**Manual de Instrucciones**

**Funlock  
004D/004**

**Bernette for Bernina**

Bernette  
BERNINA

*Funlock 004*



# Important

---

## Dear customer

Congratulations on your choice!

Your Bernette Funlock 004D/004 is made to the highest standards. It will cut, sew and neaten for you in one smooth operation giving a professional look to anything you make.

The 4 thread Bernette Funlock is particularly suited to sewing stretch fabrics. Let your wardrobe and home benefit from the Bernette's superb sewing qualities. Our comprehensive Instruction Manual introduces you step by step to the joys of overlocking and also gives you some useful sewing tips.

We wish you many happy hours of overlocking pleasure.

## Safety Regulations

The following safety regulations must be observed without fail: It is important to pay attention to the needle and knife while sewing as these are potential sources of injury to fingers. Movements within the area of the needle, knife or looper such as threading, changing needles or presser feet, or raising the knife, may only be done with the machine switched off (power switch at "O"). When cleaning or lubricating the machine replacing the bulb or when sewing is finished, machine should be disconnected from the electricity supply. All repair work, especially electrical repairs (e.g. renewing the cable connection out by one of our authorized service agencies.

Please note:

Funlock 004 is not equipped with differential feed. All points relating exclusively to Funlock 004D are marked with the symbol. \*

# Contents

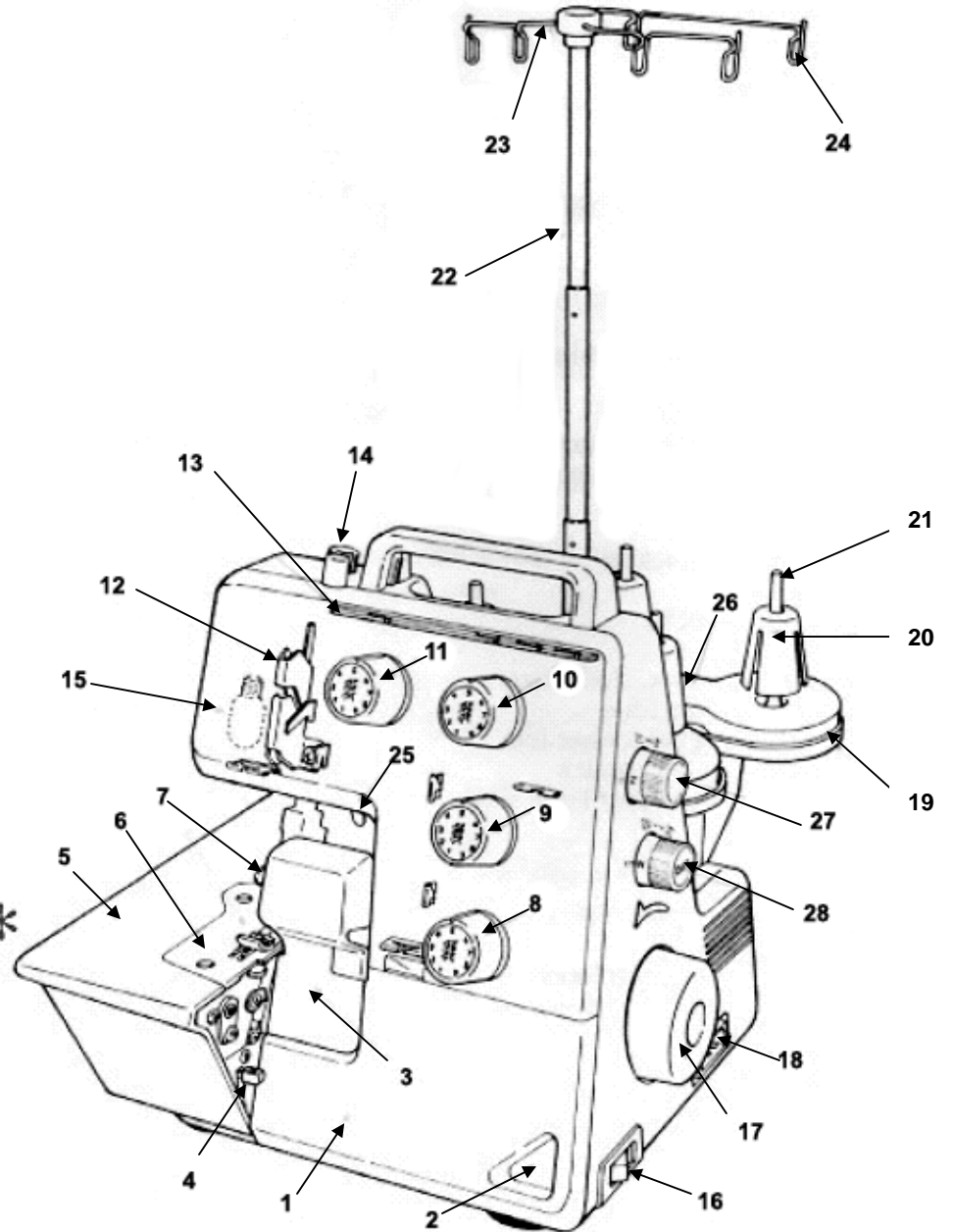
---

<b>Safety regulations</b>	1		
<b>Contents</b>	2		
<b>Details of the machine</b>	3	<b>Setting/Practical sewing</b>	21
• Accessories	4	• Presser foot pressure	21
<b>Preparing the machine</b>	5	• Roll hemming	22
• Foot control	5	• Sewing in tape	23
• Assembling the thread stand	5	• Thread breakage, unpicking seams	23
• Thread, cones, spools	6	<b>Maintenance</b>	24
<b>Using the machine</b>	7	• Changing knives and light bulb	24
• Main switch	7	• Cleaning and lubricating	24
• Handwheel	7	<b>Trouble shooting guide</b>	25
• Looper cover, cloth plate	7	<b>Technical data</b>	26
• Presser foot lifter	8		
• Changing the presser foot	8		
• Inserting the needles	9		
• Raising the upper knife	9		
<b>Threading</b>	10		
• Preparations	10		
• Upper and lower looper	11/12		
• Right-hand and left-hand needle	13/14		
<b>Threading/trial sewing</b>	15		
• 3 thread Overlock	15		
• Sewing test/tension	15/16		
• Adjusting tension	17		
<b>Adjustments and settings</b>	18		
• Stitch length	18		
• Cutting width	18		
• Differential feed *	19/20		
• Gathering *	20		

# Details of the machine

## Details of the machine

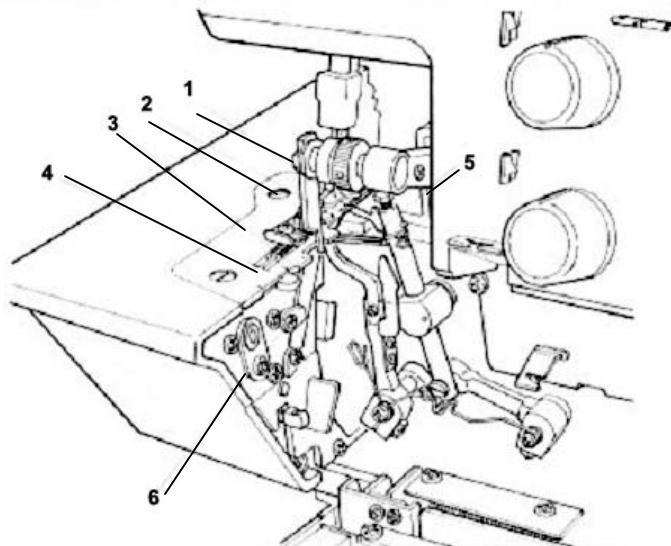
1. Loper cover
2. Loper cover opening indent
3. Knife guard
4. Cloth plate opening lever
5. Cloth plate
6. Stitch plate
7. Presser foot
8. Lower looper thread tension dial
9. Upper looper thread tension dial
10. Right needle thread tension dial
11. Left needle thread tension dial
12. Thread take-up cover
13. Thread guide plate
14. Presser foot adjusting screw
15. Sewing light
16. Power/light switch
17. Handwheel
18. Machine socket
19. Thread stand
20. Anti-vibration cone
21. Spool holder pin
22. Retractable support rod
23. Thread guide
24. Open thread guide
25. Presser foot lifter
26. Foam pad
27. Stitch length adjustment knob \*
28. Differential feed adjustment knob \*



# Details of the machine

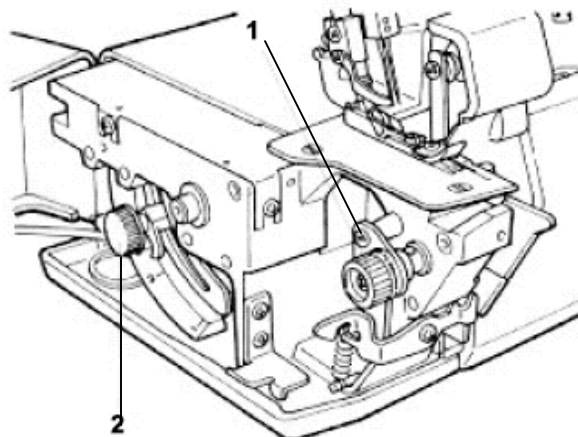
## View with looper cover open

- 1. Upper looper
- 2. Upper knife
- 3. Lower knife
- 4. Selection lever for overlocking or roll hemming
- 5. Lower looper
- 6. Lower knife setscrew



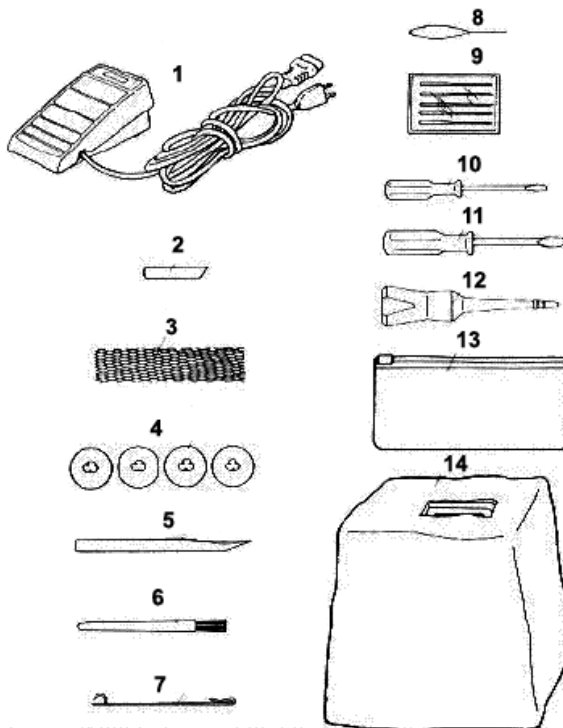
## View with cloth plate open

- 1. Cutting with adjustment knob
- 2. Stitch length adjustment knob (004)



## Accessories

- 1. Electronic foot control
- 2. Lower knife
- 3. Net
- 4. Spool caps
- 5. Tweezers
- 6. Cleaning brush
- 7. Looper threader
- 8. Needle threader
- 9. Set of household needles
- 10. Small screwdriver
- 11. Large screwdriver
- 12. Oiler
- 13. Accessory bag
- 14. Dust cover

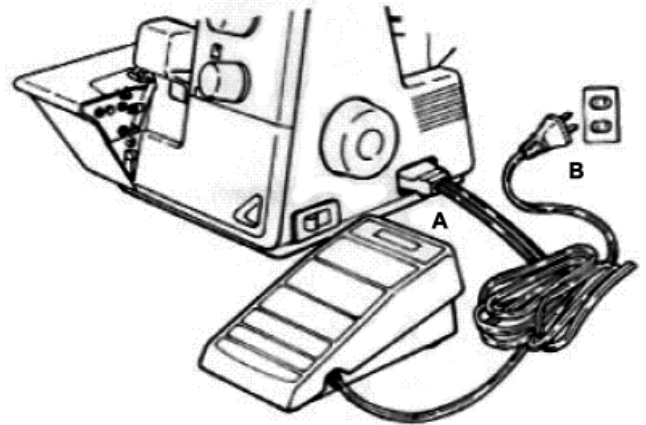


# Preparing the machine

---

## Attaching the foot control

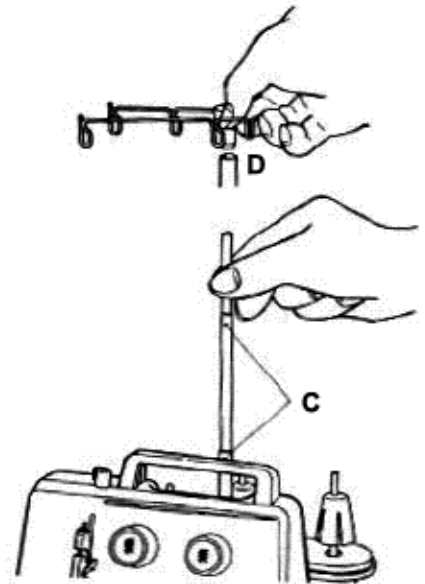
Plug foot control into machine socket (A) and then into main socket (B). The foot control regulates the sewing speed. The sewing speed can be adjusted by increasing or decreasing the pressure on the foot control.



---

## Thread guide

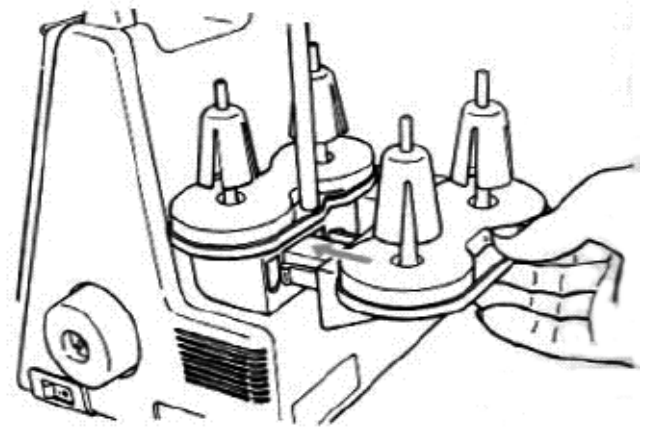
Raise, the support rod fully, turning slightly until the positioning catches engage (C). Position the thread guide on the thread stand so that the arrow is to the front (D).



---

## Thread Stand

Attach the separately packed spool holder to the fixed spool holder.

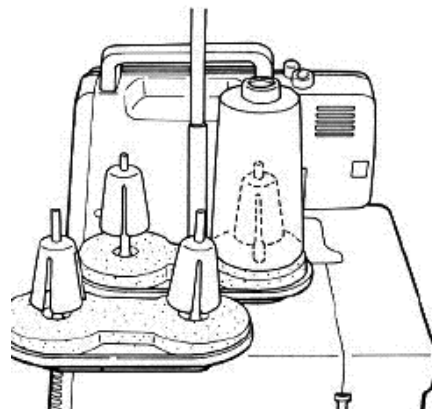


# Preparing the machine

---

## Thread cones/spools

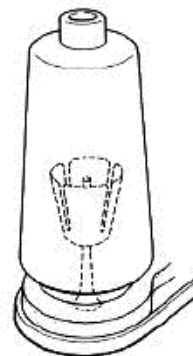
The anti-vibration cone should be used with the wider edge at the bottom on the spool holder pin when sewing with cones.



---

## Large spools

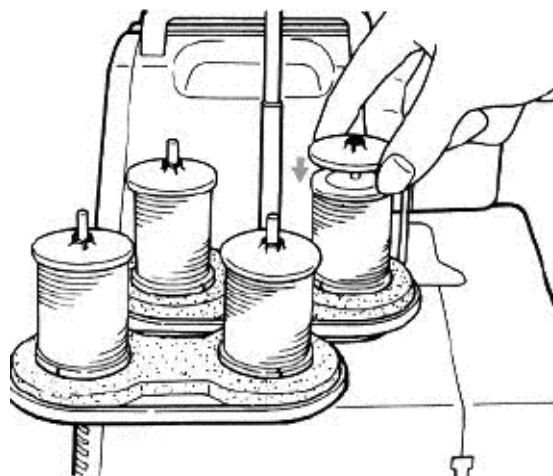
If large industrial spools are used, position the anti-vibration cone upside down on the spool holder pin, i.e. with the wider edge at the top.



---

## Household spools

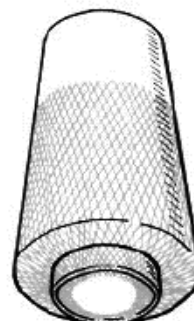
Remove the anti-vibration cones. Place spools on spool holder pins and push the spool capon with the rounded side downwards.



---

## Thread net

If threading slip and get twisted, cover the spools of upper and lower looper with the nets supplies in the accessory bag.



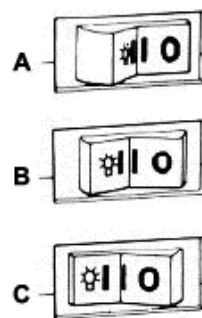
# Using the machine

---

## Power/light switch

The power/light switch is conveniently placed on the hand-wheel side of the machine in front of the socket.

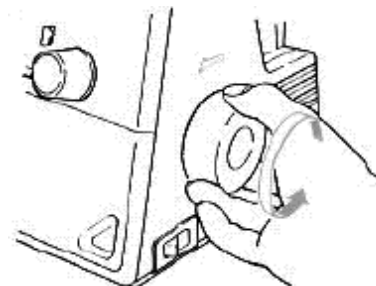
- Off (A)
- On without light (B)
- On with light (C)



---

## Handwheel

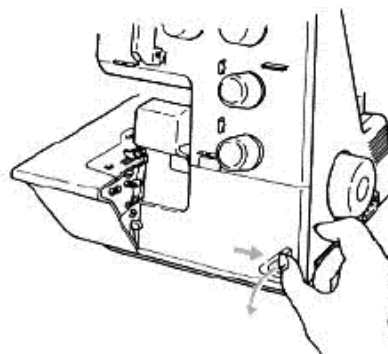
The handwheel turns forward, i.e. in the same direction as on a household sewing machine.



---

## Looper cover

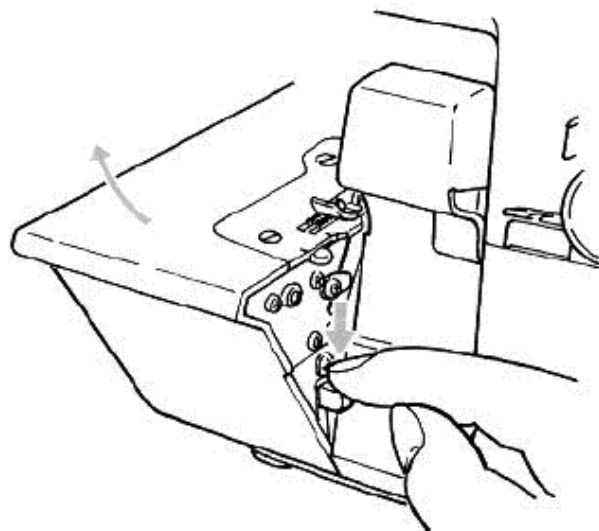
To open press to the right with your thumb in the indent provided and tilt the cover towards you. To close, push it up and press lightly to the right. The cover engages automatically.



---

## Cloth plate

The cloth plate opens automatically by pushing the lever downwards. To close the cloth plate, push it towards the machine and press gently until the cover engages.

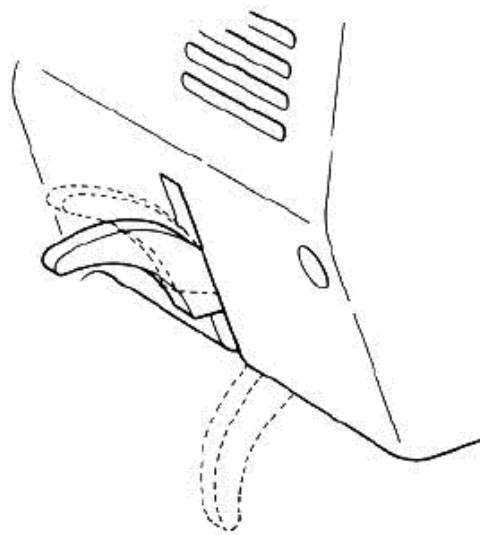


## Using the machine

---

### Two-step presser foot lifter

To raise the presser foot, raise the presser foot lever on the rear of the machine, until it engages (A). It can be raised again to maximum height and held in this position to provide more space between presser foot and stitch plate (B).

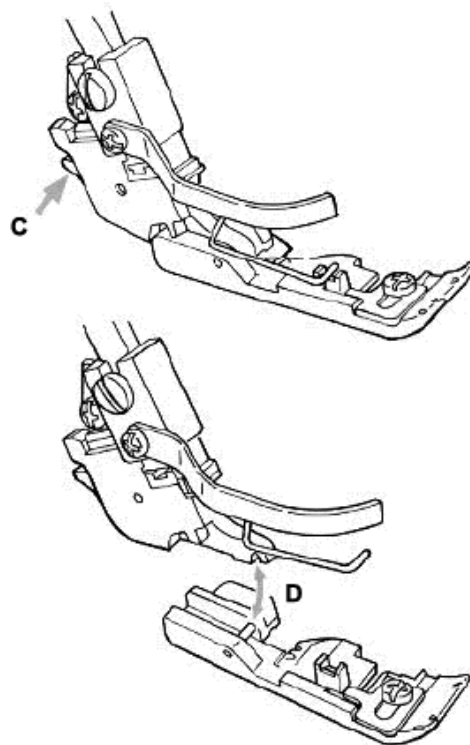


---

### Changing the presser foot

- Turn power switch to “O”
- Raise the presser foot
- Turn handwheel towards you until needles are fully raised.

Press the catch (C) to release the presser foot from the clamp. Raise the presser foot to the highest position (B) and remove the presser foot to the left. To attach the presser foot, place it under the shaft. The groove in the shaft should line up exactly with the presser foot pin (D). Lower the shank and the presser foot will engage automatically.



# Using the machine

---

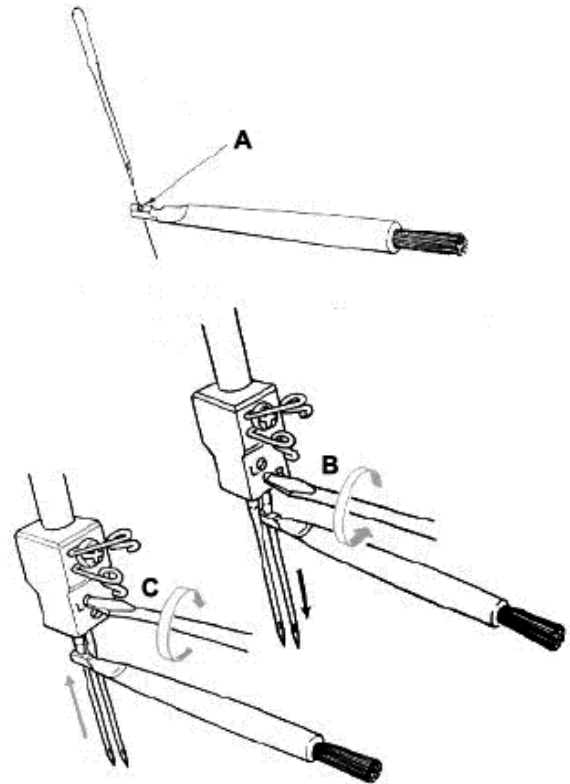
## Inserting the needles

Needles can be inserted quickly and easily with the practical brush-cum-needle inserter (A).

- Turn power switch to “O”.
- Turn handwheel towards you until needles are fully raised.
- Lower the presser foot.

Using the small screwdriver, loosen the needle set- screws and remove the needles (B).

Place right-hand needle, flat sides towards the back, into the hole of the needle inserter and insert the needle as far as possible into the needle clamp. Tighten the set-screw lightly and then insert the left-hand needle in the same way and tighten both setscrews (C).



---

## Needle and machine

Your Funlock is equipped with needle system 130/705 H (household needles). These should be purchased when replacement needles are required. Use needles no. 70 – 90 on your Bernette.

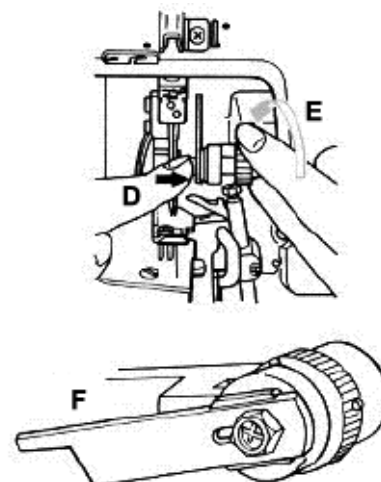


---

## Raising the upper knife

- Turn the power switch to “O”
- Turn the handwheel towards you until needles are fully raised.
- Open looper cover.

Press the upper knife holder (D) to the right. Turn the knob clockwise (E) until the knife is in the position illustrated (F).



# Threading

---

## Preparation/Tips

- Turn power switch to “O”
- Support rod with thread guide must be fully raised.
- Open the looper cover and cloth plate.
- Turn the handwheel towards you until needles are fully raised.
- Raise the upper knife.

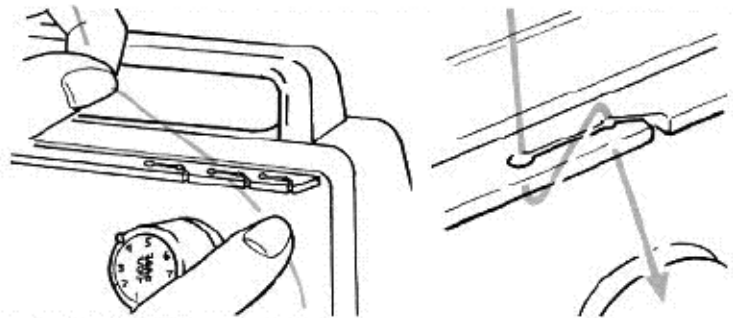
Thread the machine carefully and in the correct sequence.  
Invaluable threading aids simplify threading:

- coloured threading illustration
- colour coded thread path on the machine.
- threading accessories.

---

## Thread guide bar

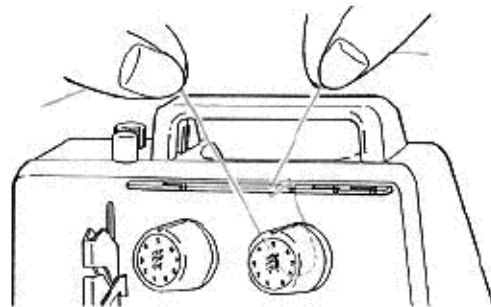
Slide thread into the two slits to form an S-loop.



---

## Thread tension

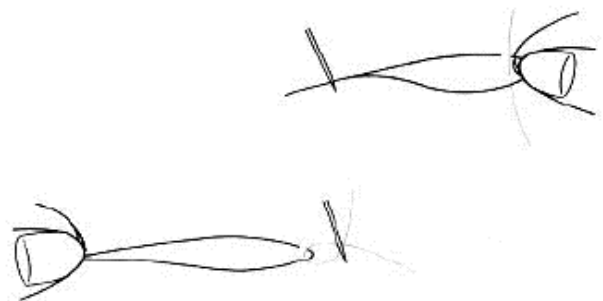
The thread must lie correctly between the tension discs for perfect stitch formation. When a slight resistance is felt on the thread, it is lying correctly between the tension discs.



---

## Needle threader

Insert thread into threader. Push the rigid end of the threader through the looper or needle eye and pull it completely through the eye.

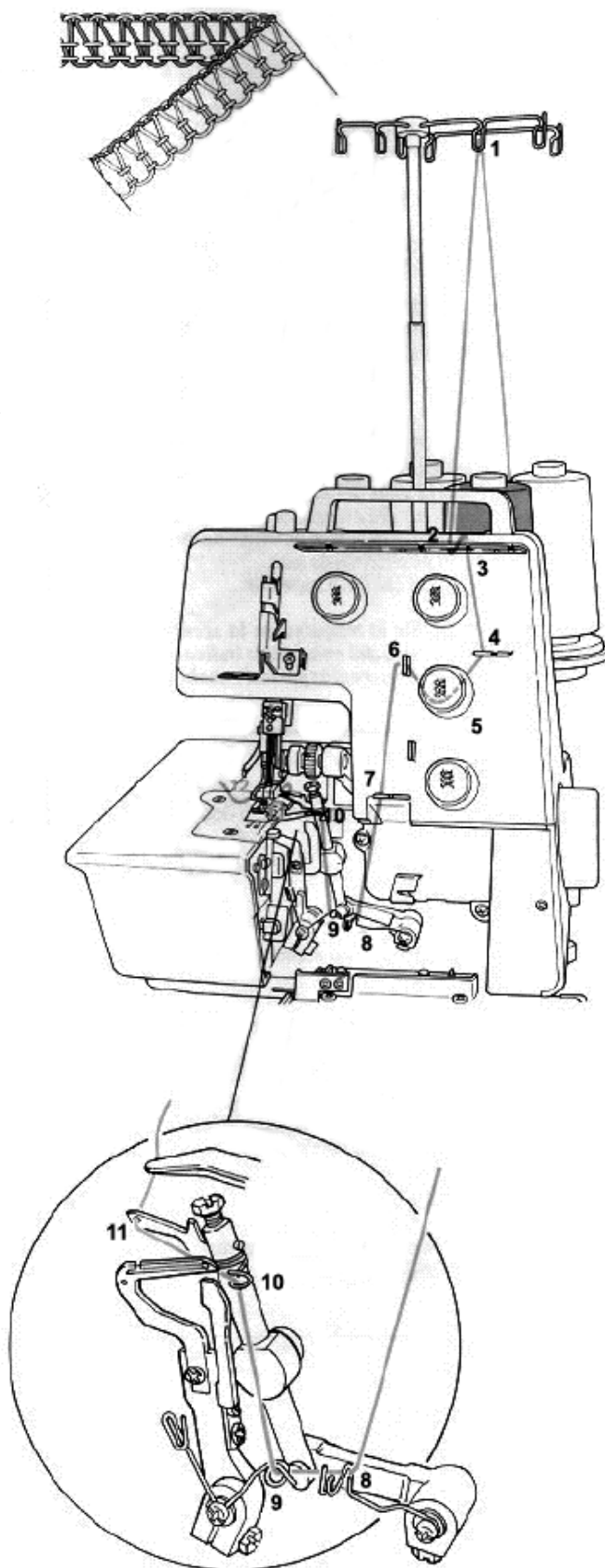


# Threading

## 1. Upper looper thread, blue markings

Place the spool on the spool holder pin underneath the blue marking on the thread guide.

- (1) Bring thread up from spool and take it through the blue guide.
- (2,3) Make S-loop around thread guide bar.
- (4) Thread guide.
- (5) Thread tension dial.
- (6,7,8,9,10) Thread guides
- (11) Turn handwheel towards you until upper looper is in the position illustrated. Thread looper eye.
- (12) Lift presser foot, place thread underneath and lower presser foot.



# Threading

## 1. Lower looper thread, red markings

Place the spool on the spool holder pin underneath the red marking on the thread guide.

(1,2) Bring thread up from spool and take it through the red guide.

(3,4) Make S-loop around thread guide bar.

(5) Thread guide.

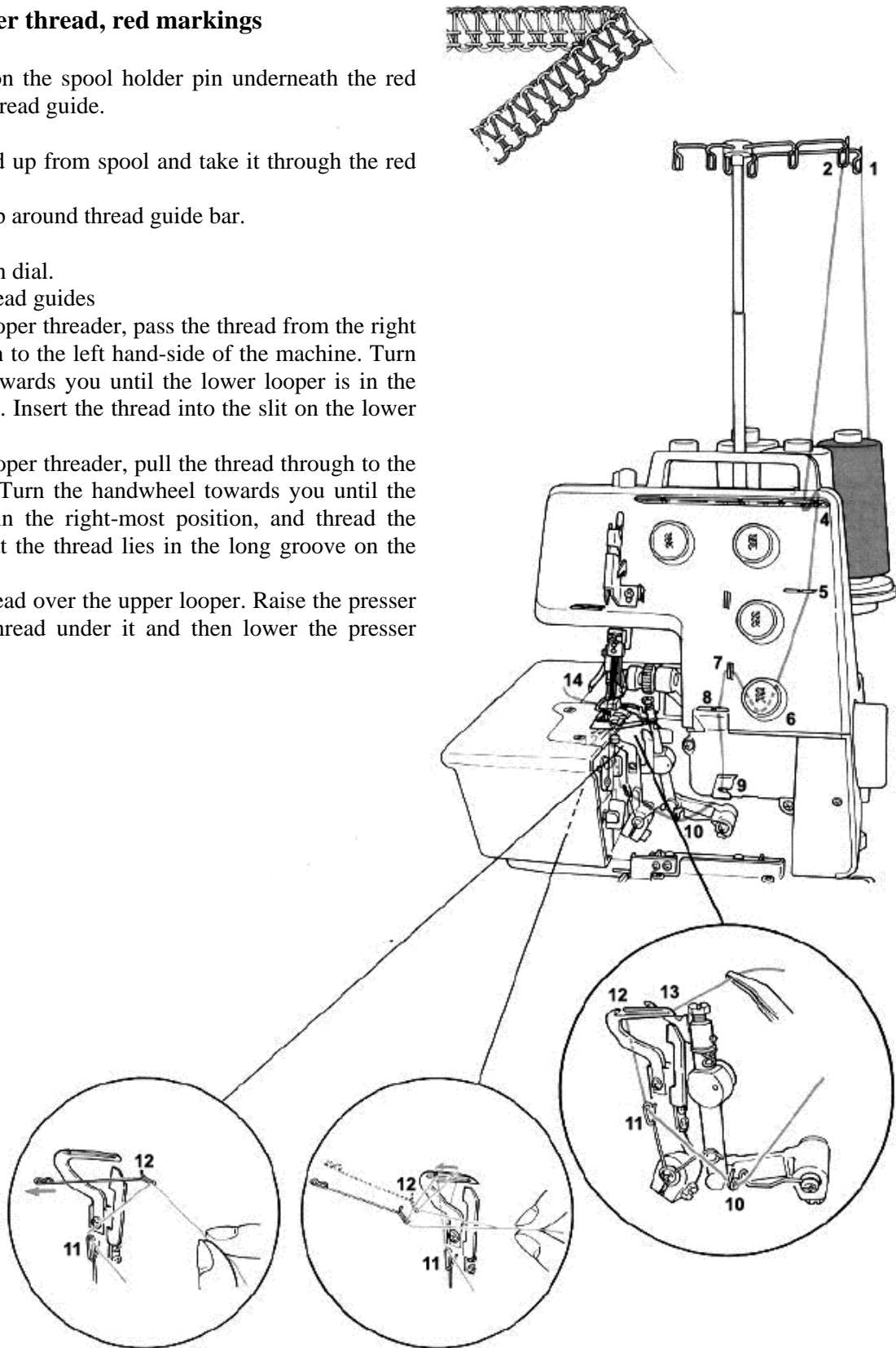
(6) Thread tension dial.

(7,8,9,10,11) Thread guides

(12) Using the looper threader, pass the thread from the right hand side through to the left hand-side of the machine. Turn the handwheel towards you until the lower looper is in the left-most position. Insert the thread into the slit on the lower looper.

(13) Using the looper threader, pull the thread through to the right side again. Turn the handwheel towards you until the lower looper is in the right-most position, and thread the looper eye so that the thread lies in the long groove on the lower looper.

(14) Take the thread over the upper looper. Raise the presser foot, place the thread under it and then lower the presser foot.

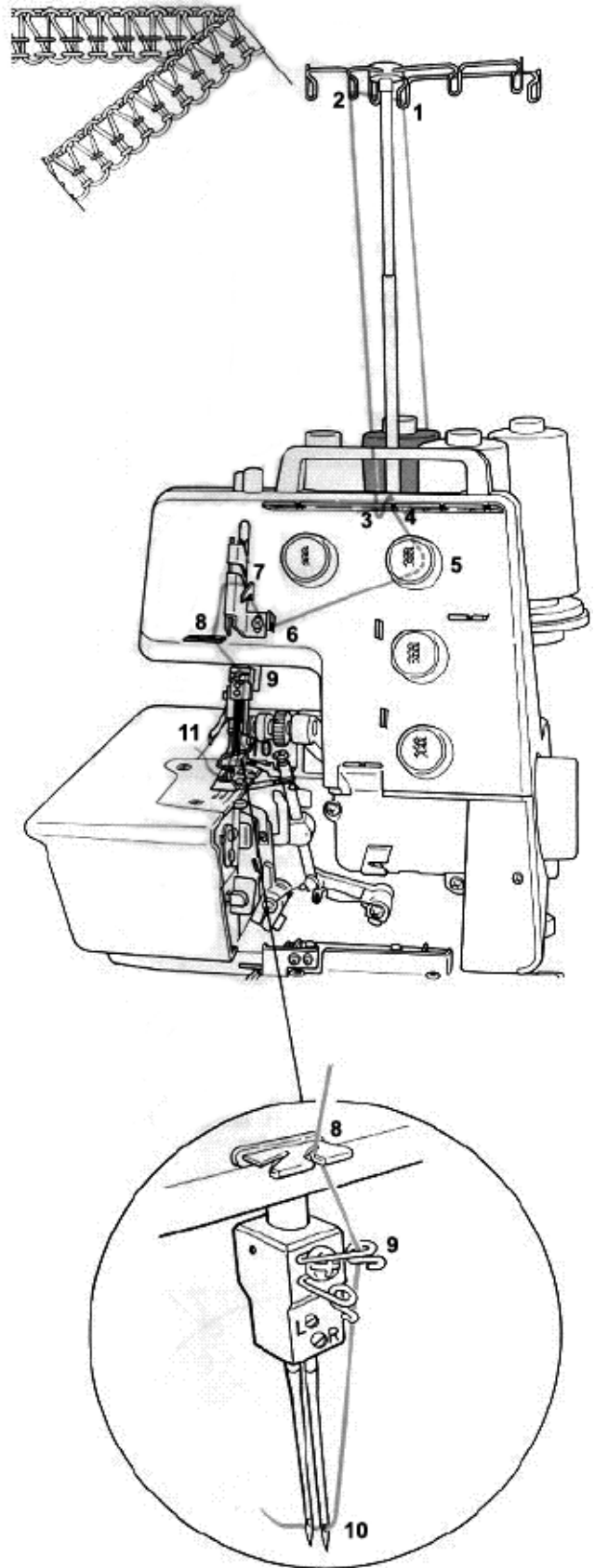


# Threading

## 3. Right-hand wheel needle, green markings

Place the spool on the spool holder pin underneath the green marking on the thread guide.

- (1,2) Bring thread up from spool and take it through the green guides.
- (3,4) Make S-loop around the thread guide bar.
- (5) Thread tension dial.
- (6,7,8) Thread guides.
- (9) Thread guide on needle clamp.
- (10) Turn the handwheel towards you until the needles are fully raised. Thread the right-hand needle.
- (11) Raise the presser foot, place thread underneath it. Lower presser foot.



# Threading

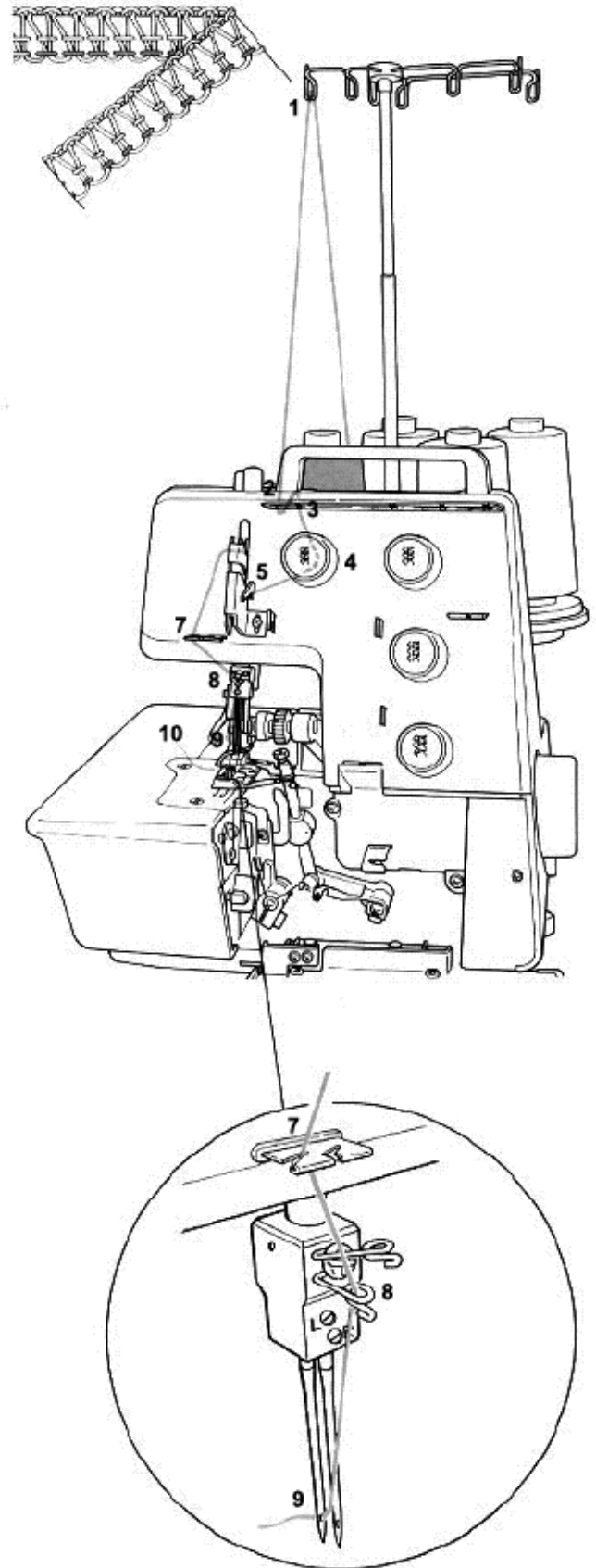
## 4. Left-hand needle, yellow markings

Place the spool on the spool holder pin underneath the yellow marking on the thread guide.

- (1) Bring the thread up from the spool and take it through the yellow guide.
- (2,3) Make S-loop around thread guide bar.
- (4) Thread tension dial.
- (5,6,7) Thread guides
- (8) Thread guide on needle clamp
- (9) Turn the handwheel towards you until the needles are fully raised. Thread the left-hand needle.
- (10) Raise the presser foot, place the thread underneath it. Lower presser foot.

When threading is complete, lower the upper knife and close the looper cover and cloth plate.

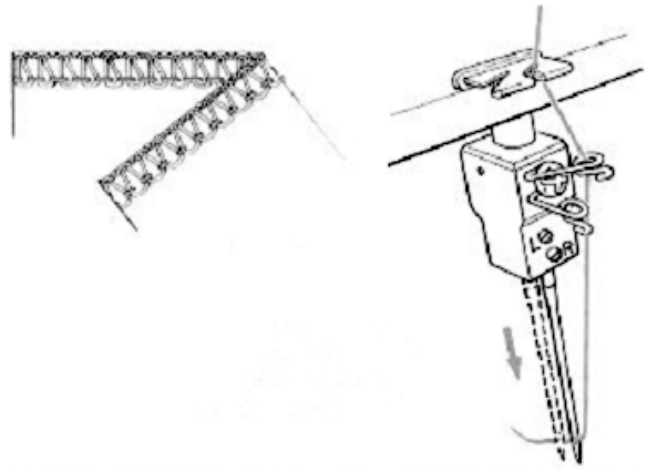
Note: If the lower looper has to be re-threaded, cut both needle threads off at the needle and removes surplus thread from below. Thread the looper and then re-thread the needles.



## Threading, Trial sewing

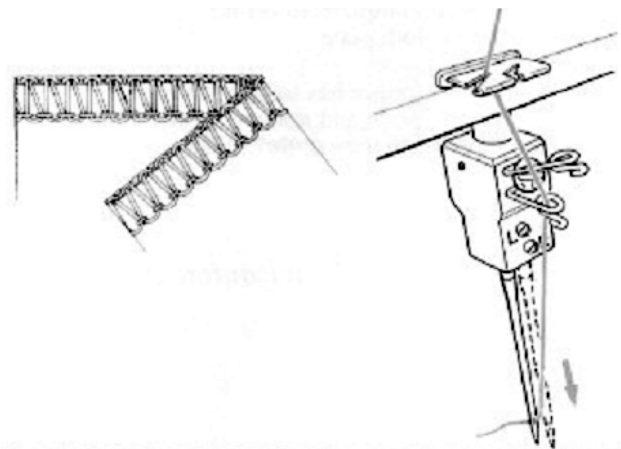
### 3 thread overlock (right needle)

For a 3-5 mm wide 3 thread overlock stitch, remove the left-hand needle. Then thread both loopers and the right-hand needle. (See Page 11-13).



### 3 thread overlock (left needle)

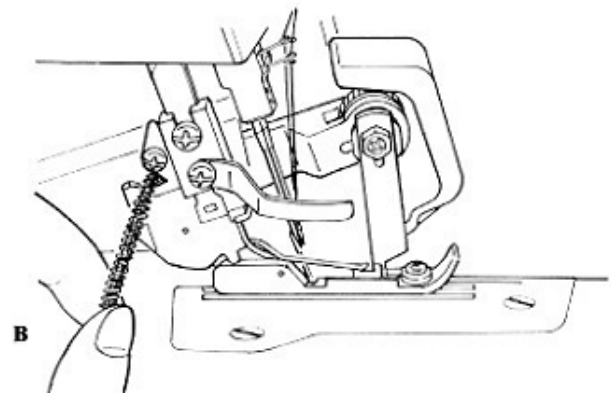
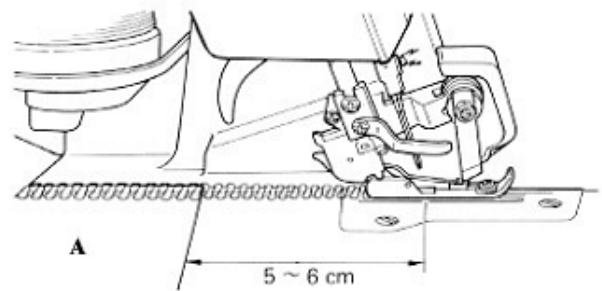
For a 5-7 mm wide 3 thread overlock stitch, remove the right-hand needle. Then thread both loopers and the left-hand needle. (See Page 11,12,14).



## Sewing test

After threading make a trial run. Always use a double layer of fabric in order to be able to check the stitch formation and thread tension properly.

- Set upper and lower looper tension dials to 4 and needle tension dials to 4.
- Upper knife in cutting position.
- Presser foot lowered.
- Raise the front of the presser foot slightly with your thumb and position the fabric under the foot just up to the knife. Release the presser foot Sew.
- At the end of the seam continue sewing a 5-6 cm (2-2 1/2") long thread chain (A).
- Holding the fabric in one hand, pull the thread chain over the thread cutter on the presser foot shank (B).



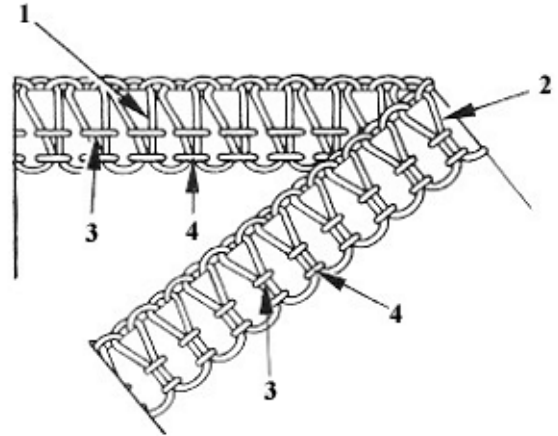
# Thread tension

---

## Check your trial run

1. Upper looper thread (blue)
2. Lower looper thread (red)
3. Right-hand needle thread (green)
4. Left-hand needle thread (yellow)

Perfect stitch formation is when both looper threads meet at the fabric edge. The needle threads form straight stitches for a stretchy and durable seam.



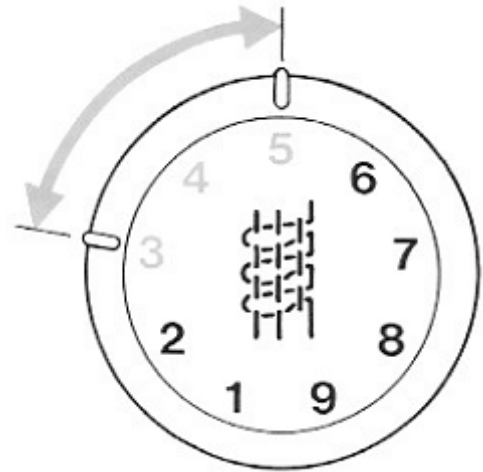
---

## Thread tension

Thread tension should be properly adjusted to suit the various types of work.

The ideal tension setting for most fabrics and threads is between 3 and 5. However this can vary quite considerably when special threads such as filament, wooly nylon, buttonhole twist (cordonnnet), perle yarn or decorative threads are used.

Infinitely variable adjustments can be made from 1-9. Turn to the left for less tension. Turn to the right for more tension.



# Thread tension

## Adjusting the thread tension

Turn tension dials by only half or one number then test sew again and check the results.

The loops are formed on the underside;  
Tighten the upper looper thread tension, blue or loosen the lower looper tension, red (A).

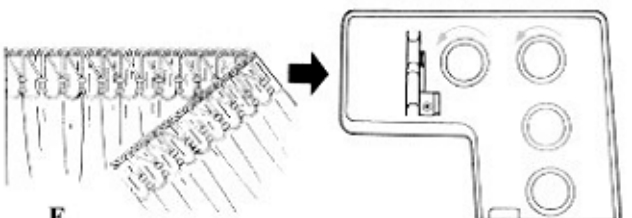
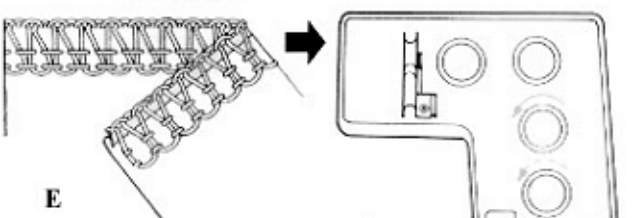
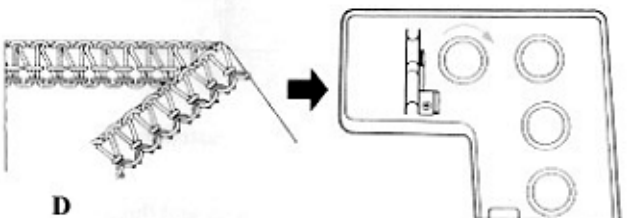
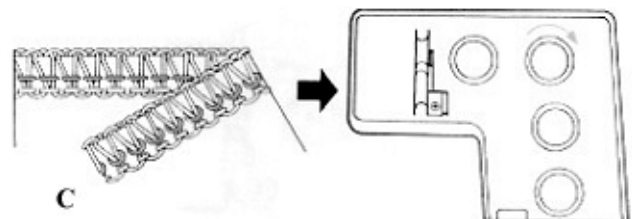
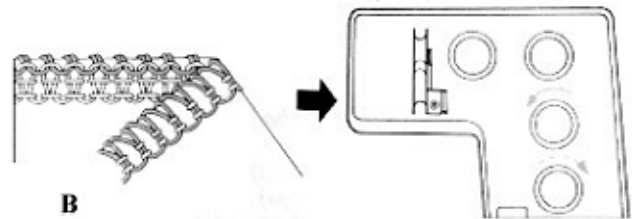
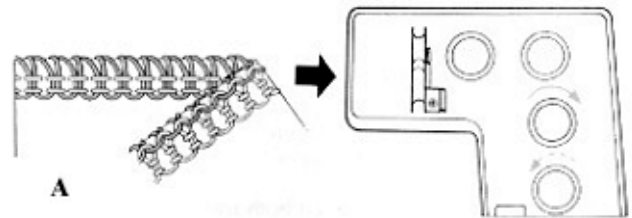
The loops are formed on the upper side;  
Tighten the lower looper thread tension, red or loosen the lower looper tension, blue (B).

The right-hand needle thread forms loops on the underside;  
Tighten the right-hand needle thread tension, green (C).

The left-hand needle thread forms loops on the underside;  
Tighten the left-hand needle thread tension, yellow (D).

The edge of the fabric curls up; tension of both looper threads is too tight;  
Loosen upper and lower looper thread tension, blue and red (E).

The fabric puckers during sewing;  
Loosen the right or left-hand needle thread tension, green or yellow (F).



## Adjustments and settings

### Stitch length

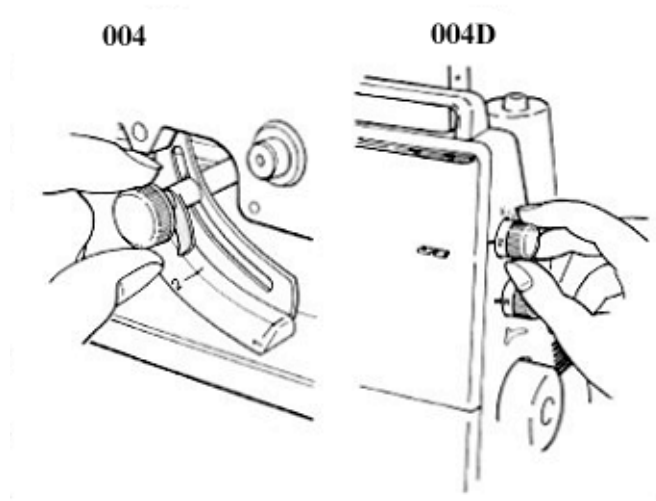
#### 004:

- Turn power switch to “0”.
- Open cloth plate, loosen knob and adjust to desired length. Tighten knob and close cloth plate.

#### 004D:

- Turn dial to stitch length desired can be adjusted while sewing.

The stitch length is infinitely variable from 1-4 mm. Most overlock work is done with a basic setting of 2-3 mm.



### Cutting width

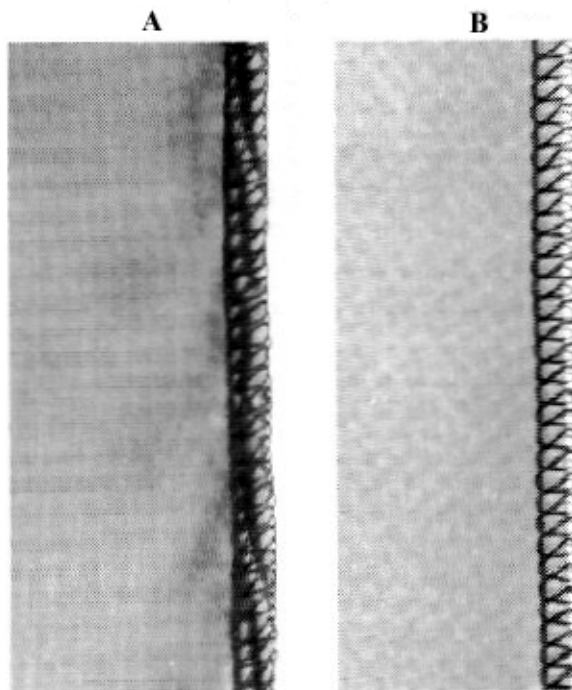
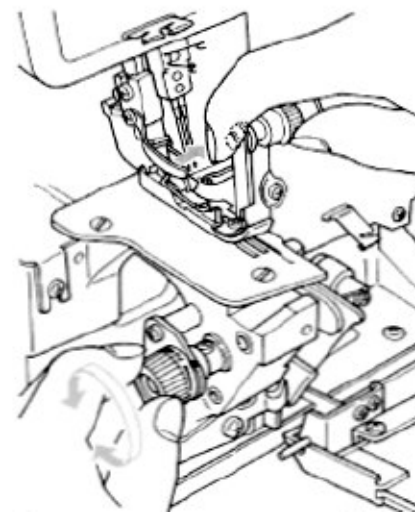
- Turn power switch to “0”.
- Raise the upper knife.
- Open the cloth plate.
- Turn cutting width adjustments knob in the direction desired.
- Lower upper knife.
- Close cloth plate.

The position of the lower knife determines the width of the seam.

- 1=3.5 mm seam width
- 2=4.5 mm seam width
- 3=5.7 mm seam width

Reduce the cutting width if the edges of fine fabrics curl up when being sewn. Adjust the cutting knob to a higher number (A).

Increase the cutting width knob to a higher number (B).



# Adjustments and settings

## Differential feed

There are two feed dogs one front (A) and one rear (B).

The two feed dogs move independently and the distance each feed dog travels during one complete movement can be adjusted.

The differential feed prevents fluting or waving in knitted or stretch fabrics and movements between the layers of fabric.

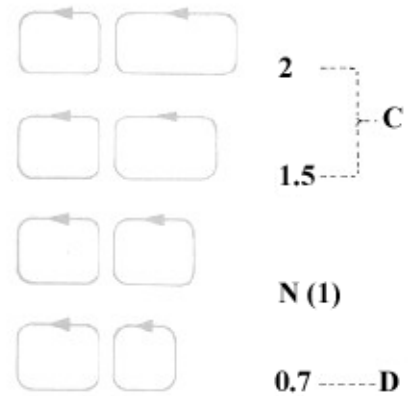
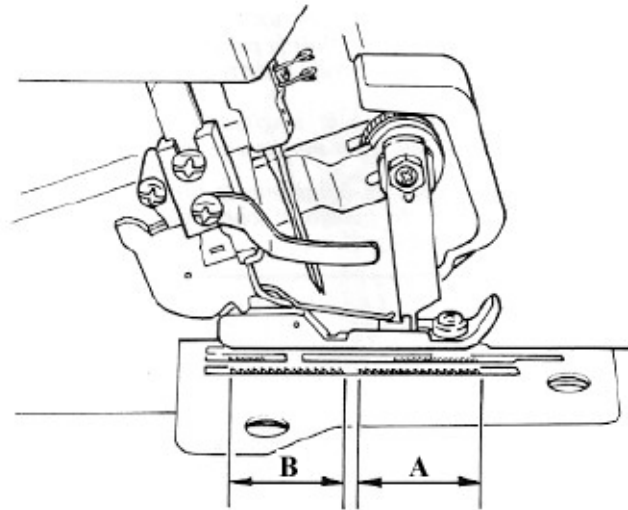
It also ensures pucker-free seams in smooth fabrics such as nylon or closely woven fabric (C).

### Perfectly flat seams in knits or stretch fabrics.

The distance traveled by the front feed dog should be greater than that of the rear feed dog. The front feed dog, therefore, feeds an amount of fabric, which the rear feed dog, can take up behind the needle without stretching the fabric.

### Pucker-free seams in nylon or closely woven fabrics.

The distance traveled by the rear feed dog should be greater than that of the front feed dog. The front feed dog, therefore, holds the fabric back so that the rear feed dog can take it up behind the needle without any puckering (D).



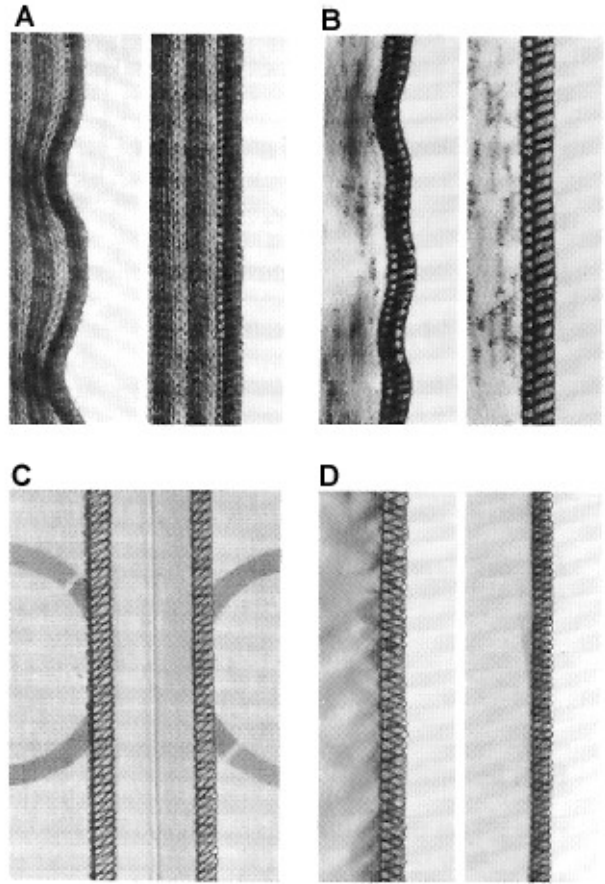
# Adjustments and settings

## Adjusting the differential feed

The differential feed can be adjusted by simply turning the differential feed adjustments knob in the direction desired.

Always make a trial run. The differential feed is infinitely variable and can be adjusted while sewing.

	Effect	Fabric
2	Wave-free seams (A)	Thick wool knits, and knitted articles, very stretchy fabric
1.5	Wave-free seams (B)	Cotton, silk, synthetic jerseys, sweatshirt fabrics and fine knits
N	Normal feed (C)	Woven fabrics
0.7	No puckering (D)	Fine nylon jersey, closely woven fabrics, lining fabric satin, poplin



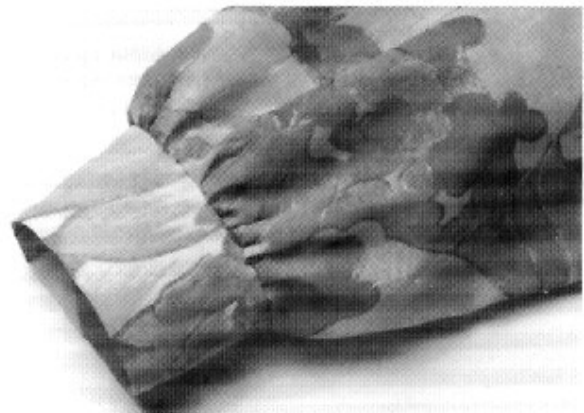
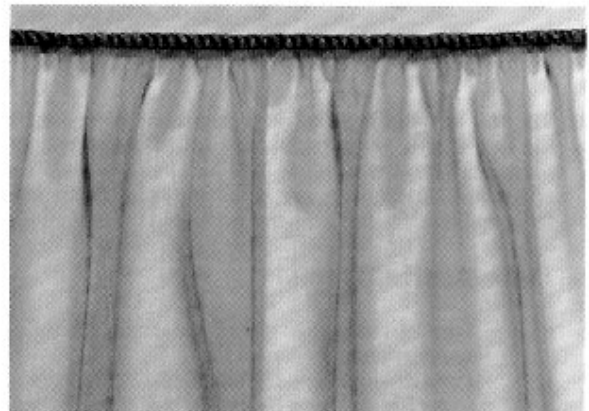
## Gathering

Using the differential feed, a single layer of fabric can be gathered before sewing it to the garment. For example, sleeve heads and lower edges, yokes, lace edging or frills.

### Adjustment:

- Stitch: 4 thread overlock      Increase the thread tension (6-8) for a tighter gathering
- Differential feed: 2
- Stitch length: 3 –4
- Cutting width: 2-3
- Thread tension: 4-6

Note: When sewing without differential feed, turn the adjustment knob to “N”.



## Settings, practical sewing

---

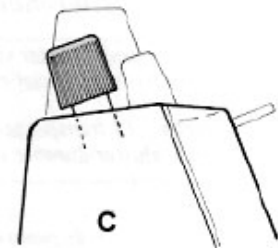
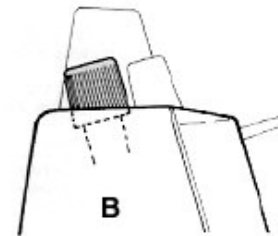
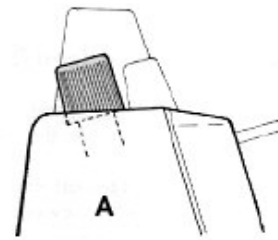
### Presser foot pressure

The presser foot pressure is factory adjusted to a medium setting. Should you wish to adjust it, simply turn the knob in the direction desired:

Position of knob for normal pressure (A).

More pressure: for thick or stiff fabrics such as denim, tweed, firm linen (B).

Less pressure: for lightweight or sheer fabrics and knits (C).

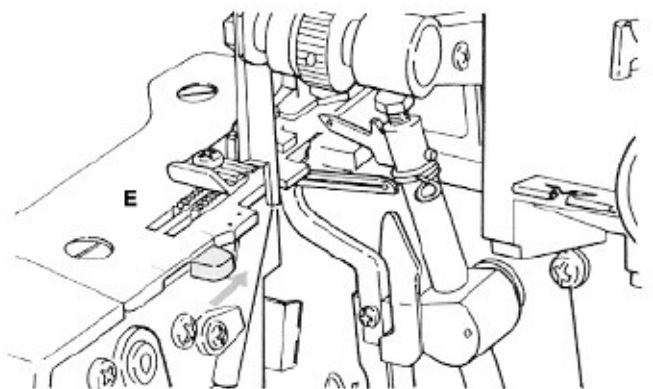
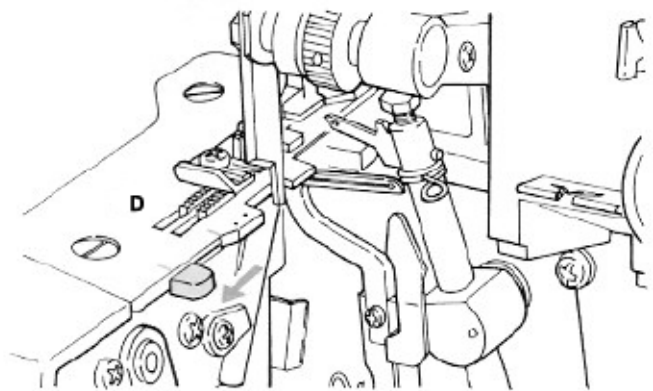


---

### Roll Hemming

- Turn the handwheel towards you until the needle are fully raised.
- For roll hemming, pull the selection lever back to the red marking on the stitch plate furthest from the presser foot (D).
- For overlocking, push the selection lever forwards to the red marking on the stitch plate nearest the presser foot (E).

The roll hemmer is fully integrated in the machine. The edges of the fabric will be automatically rolled over producing a very narrow, fine seam or hem. Roll hemming is deal for finishing edges on all fine fabrics, such as evening clothes, lingerie, scarves frills and also for curtains and napkins.

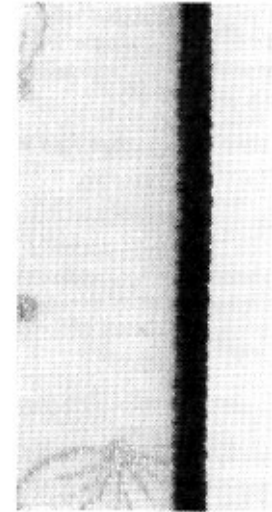
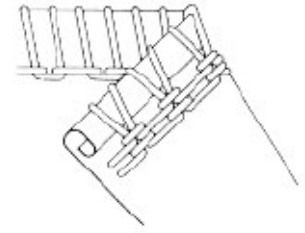


## Settings, practical sewing

---

### Rolled hem

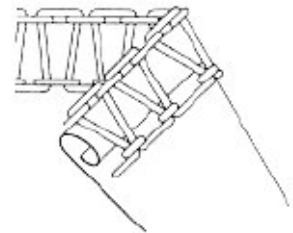
- Application: Edge finish
- Stitch: 3 thread overlock, right needle.
- Stitch selection: roll hemming
- Thread: Darning thread, fine polyester thread, wooly nylon thread (only in upper looper)
- Needle: 70/80
- Stitch length: 1-1.5
- Cutting width: 1-2
- Differential feed: 0.7-2
- Thread tension: Adjust the tension to suit the fabric and thread chosen. The looper threads meet on the underside of the fabric. Lower looper tension (red) 6-9, upper looper tension (blue) 2-5 and needle tension (green) 4-7.



---

### Narrow seam

- Application: Fine seams
- Stitch: 3-thread overlock right-hand needle.
- Stitch selection: roll hemming.
- Thread: Fine polyester thread, wooly stretch nylon in upper and lower looper.
- Needle: 70/80
- Stitch length: 1,5-2,5
- Cutting width: 1-2
- Differential feed: N-2
- Thread tension: Adjust the tension according to fabric and thread chosen. The loops formed by the loopers should meet exactly on the edge of the fabric. Lower looper tension (red) 2-5. Upper looper tension (blue) 3-6. Right-hand needle tension (green) 4-7.



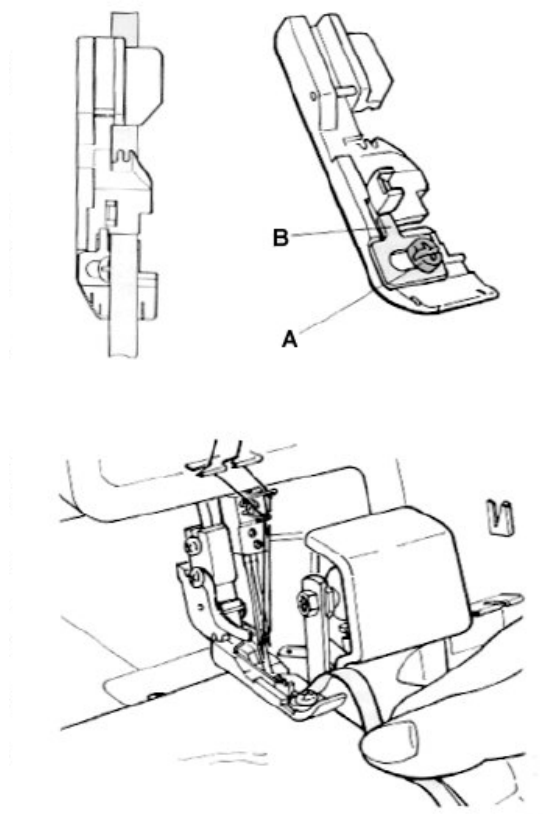
## Settings, practical sewing

---

### Sewing in tape

The standard presser foot is equipped with a tape guide. A tape can be sewn into the shoulder or side seams of garments made from knits or stretch fabrics to prevent stretching.

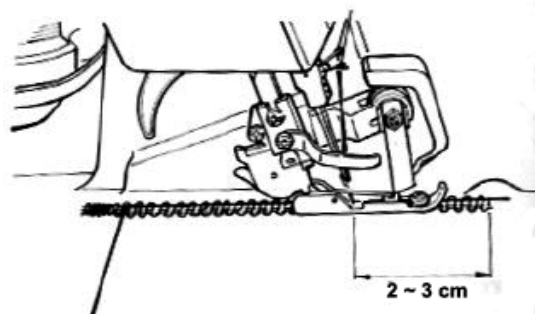
- Turn the handwheel towards you until needles are fully raised.
- Raise the presser foot.
- Lay the tape under the presser foot and slide it carefully into the tape slot.
- Lower the presser foot and sew a few stitches until the right-hand needle catches the left-hand edge of the tape.
- Loosen the setscrew (A) and adjust the tape guide to suit the width of the tape (B).
- Retighten setscrew.
- Raise the tip of the power foot and place work underneath, Sew.



---

### Thread breakage during sewing

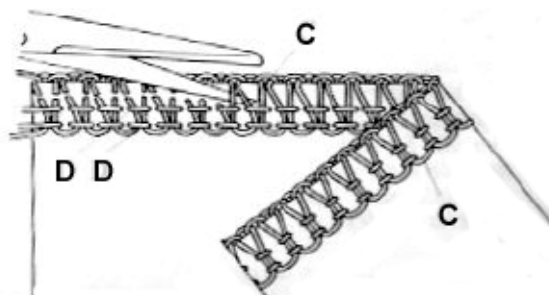
Sew off immediately at an angle and remove the work. Rethread. If the lower looper thread has broken, cut off both needle threads at the needle and remove the thread. First thread the looper and then the needle. Start sewing again about 2-3 cm in front of where the thread broke.



---

### Unpicking seams

Using sharp scissors cut the loops (C). Pull the needle thread (D) and the stitches will come undone.



## Maintenance

---

### Changing the upper knife

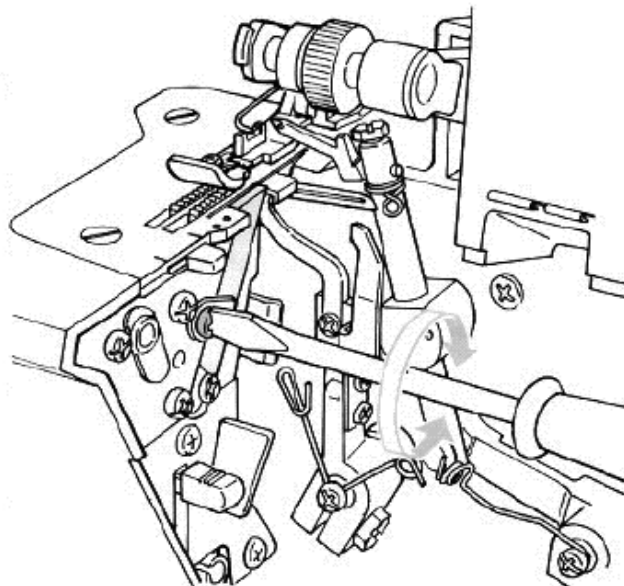
The upper knife (moving knife) is made from special hardened material. Should it get damaged, it can be replaced by your local Bernette dealer.

---

### Changing the lower knife

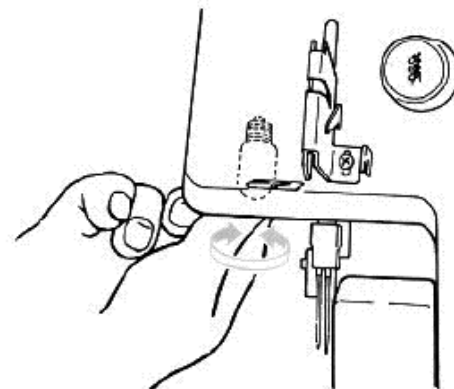
- Disconnect machine from electricity supply.
- Turn handwheel towards you until needles are fully raised.
- Raise the upper knife

Loosen the setscrew on the lower knife retaining plate. Remove the lower knife. Fit the replacement knife (from accessory bag) in the groove so that the sharp is in line with the stitch plate. Retighten the screws (see page 1).



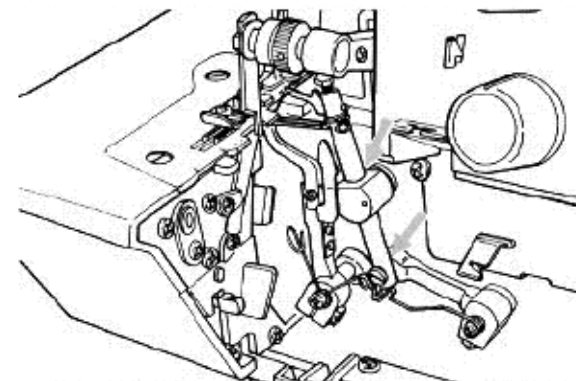
### Replacing the bulb

- Disconnect machine from electricity supply.
- Unscrew the bulb and replace it with a new one: The bulbs are 15 Watt for 110V/115V machines and 10 Watt for 220V/230V/240V machines. They are available from your local dealer.



### Cleaning and lubricating

- Disconnect machine from electricity supply.
- During sewing, dust and fluff collect in and on the machine. This should be removed regularly. Your Funlock requires very little lubrication. Now and then, lubricate only the points illustrated (see page 1).



## Trouble shooting guide

Problem	Cause	Solution	Page
Fabric does not feed..... evenly	Presser foot pressure is too low	Adjust the presser foot pressure.....	21
	Lower knife is blunt or wrongly positioned	Replace the lower knife	24
Thread breaks.....	Thread tensions is too tight for thread being used	Reduce thread tension.....	16/17
	The machine is not thread correctly	Check the threading	11 – 14
	Needles are incorrectly inserted	Insert needles fully into needle clamp with flat side to the back	9
Needles break.....	Needles are bent, blunt or points are damaged	Use needle system 130/705 H	9
	Needles are not inserted correctly	Replace needles.....	9
Skipped stitches.....	Fabric was pulled while sewing	Insert needles fully into needle clamp with flat side to the back	9
	Needles are bent or blunt	Guide fabric gently with both hands	
	Wrong needles used	Replace the needles.....	9
Poor stitch information.....	Presser foot pressure is too low	Use needles of system 130/705 H	9
	Thread is not wound correctly round tension dials	Increase presser foot pressure.....	21
	Thread has got caught	Check if thread is lying between.....	10
Seams flute or wave..... especially when sewing knits	Fabric was pulled while sewing	Check the threading path of each thread	11 – 14
	Presser foot pressure is too tight	Guide fabric gently.....	
Seams pucker.....	Differential feed is set incorrectly. *	Reduce presser foot pressure	21
	Thread tension is too tight	Adjust differential feed to $N - 2$ *	9 – 20
Fabric edges curl.....	Differential feed is set incorrectly. *	Reduce thread tension.....	16 - 17
	Too much fabrics is in the stitch	Adjust differential feed to $0.7 - N$ *	19 – 20
	Thread tension is too tight	Reduce cutting width.....	18
		Reduce thread tension	16 – 17

## Trouble shooting guide

---

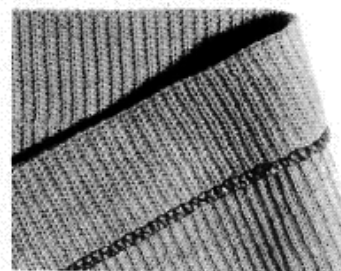
Stitch choice.....	2 needles, 4 thread Overlock with integral safety seam 1 needle, 3 thread Overlock
Needle system.....	130/705 H
Seam width.....	3 – 7 mm (3 thread overlock) 5 – 7 mm (4 thread overlock)
Stitch length.....	1 – 4 mm
Differential feed *.....	No waving or fluting in knits N – 2 No puckering 0.7 N
Presser foot lift.....	5 mm
Handwheel.....	Rotates forward
Sewing speed.....	Up to 1500 s.p.m.
Weight.....	7.0 kg
Dimension.....	270 (W) x 340 (D) x 295 (H) mm

We reserve the right to make changes in the interests of technical progress.

---

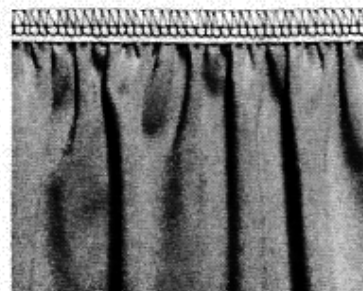
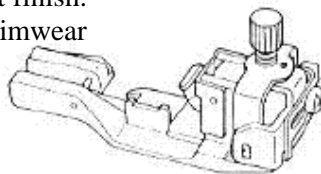
### Blind stitch foot

The blind stitch foot is ideal for stretchy and invisible hems in knitwear.



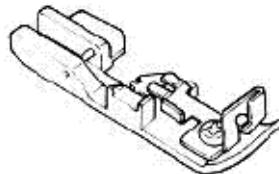
### Elasticator

The Elasticator will sew on any type of elastic from a width of 5 mm – 12 mm. The fabric edges are cut off and overlocked in the normal way producing a lovely neat finish. The elasticator is of invaluable help when sewing swimwear or gymnastic wear.



### Cording foot

Ideal for fine fabrics. Give frills and flounces a beautiful wavy finish by sewing cord, wool of fishing line into a rolled hem.



## **“IMPORTANT SAFETY INSTRUCTIONS”**

“When using an electrical appliance, basic precautions should always be followed, including the following:”  
“Read all instructions before using this sewing machine.”

**“DANGER”** \_\_\_\_\_ To reduce the risk of electric shock:”

1. “An appliance should never be left unattended when plugged in. Always unplug immediately after using and before cleaning.”
2. Always unplug before relamping. Replace bulb with the same type rated 15 watts.”

**“WARNING”** \_\_\_\_\_ To reduce the risk of burns, fire, electric shock, or injury to persons.”

1. “Do not allow to be used as a toy. Close attention is necessary when this appliances is used by or near children.”
2. “Use this appliance only for its intended use as a described in this manual. Use only attachments recommended by the manufacturer as contained in this manual.”
3. “Never operate this appliance if it has a damaged cord or plug, if it is not working properly, if it has been dropped or damaged, or dropped into water. Return the appliance to the nearest authorized dealer or service center for examination, repair, electrical or mechanical adjustment.”
4. “Never operate the appliance with any air openings blocked. Keep ventilation openings of the sewing machine and foot controller free from the accumulation of lint, dust, and loose cloth.”
5. “Keep fingers away from all moving parts. Special care is required around the sewing machine needle.”
6. “Always use the proper needle plate. The wrong plate can cause the needle to break.”
7. “Do not use bent needles.”
8. “Do not pull or push fabric while stitching. It may deflect the needle causing it to break.”
9. “Switch the sewing machine off (“0”) when making any adjustments in the needle area, such as threading needle, changing needle, threading bobbin, or changing presser foot, and the like.”
10. “Always unplug sewing machine from the electrical outlet when removing covers, lubricating, or when making any other uses servicing adjustments mentioned in the instruction manual.”
11. “Never drop or insert any object into any opening.”
12. “Do not use outdoors.”
13. “Do not operate where aerosol (spray) produces are being used or when oxygen is being administered.”
14. “To disconnect, turn all controls to the off (“0”) position, then remove plug from outlet.”
15. “Do not unplug by pulling on cord. To unplug, grasp the plug, not the cord.”

## **“SAVE THESE INSTRUCTIONS”**

“This sewing machine is intended for household use only.”

**© Copyright by Fritz Gegauf Ltd.  
Bernina Sewing Machines  
8266 Steckborn, Switzerland  
No. 501 661 13 GB/E**